

ELECTRIC HEATING RODS WITH G1/2" THREAD

Stainless-steel electric heating rods with G1/2" thread are intended in particular for bathroom towel radiators. All these Regulus heating rods are equipped with thermal reset at 80°C. After cooling down to 35°C the heating rod resets and starts heating again without the need of restart or any human intervention. It is also equipped with a thermal fuse that turns the heating rod off permanently when the temperature exceeds 120°C.

Z-ZT

The rods are designed to be plugged either directly into 230V el. socket or into a TZ 33 or TZT 36 room thermostats using a spring cable with a schuko plug. Max. extended length of the cable is 3m. Upon order various plugs to fit foreign wall sockets and any cable lengths with no plug can be supplied.

Z-SKVT and Z-SKVT-T

Kits consisting of Z-ZT a heating rod, robust nickel-plated T-piece and a plug-in room thermostat.

Z-SKVT with a TZ 33 thermostat, rotating knob control, no timer.

Z-SKVT-T with a TZT 63 thermostat, push button control plus timer.

The thermostat turns on when the push button is pressed and will stay on for a preset time interval. The time interval can be preset for 15 min. to 5 hours (default value is 2:00 h). This feature is used mainly for towels drying.

TT-TNT

These heating rods are fitted with a TNT63 room thermostat directly on the heating rod. The thermostat has the same function as TZT 63 thermostat. The rods come with a straight 120cm long cable, no plug.

TT-TNTW - TNT 63 thermostat, white color

TT-TNTS - TNT 63 thermostat, chrome color

VSV

Uni schuko socket plug with a switch and operation indicator.

VSV-S grey color

VSV-W white color

TT-TDD

These heating rods are fitted with a DD room thermostat directly on the heating rod. The thermostat has the same function as TZT 63 thermostat. The rods come with a straight 120cm long cable, no plug. They can be plugged into a wall socket using a VSV plug.

TT-TDDW - TNT 63 thermostat, white color

TT-TDDS - TNT 63 thermostat, silver color



Codes	Z-ZT	Z-SKVT	Z-SKVT-T	TT-TNTW	TT-TNTS	TT-TDDW	TT-TDDS
Výkon							
300 W	7145	7573	8841	11399	11406	11034	9679
400 W	7146	7574	8842	11400	11407	11035	11031
500 W	7585	7575	8843	11401	11408	9143	11032
600 W	7586	7576	8844	11402	11409	11036	9680
700 W	7587	7577	8845	11403	11410	9144	11030
800 W	7147	7578	8846	11404	11411	11037	11033
900 W	7148	7579	8847	11405	11412	9145	9681
1000 W	7590	7580	8848	*	*	*	*
1200 W	7591	7581	8849	*	*	*	*
1350 W	8402	8597	8850	*	*	*	*
1500 W	7592	7582	8851	*	*	*	*

* on order

v1.6-03/2012

Electric Heating Rods



Regulus

Energy-saving solutions

Regulus spol. s r.o., Czech Republic
 Do Koutů 1897/3, 143 00 Praha 4
 Tel.: ++420 241 765 191, Fax: ++420 241 763 976
 E-mail: sales@regulus.cz
 Web: www.regulus.eu

ELECTRIC HEATING RODS WITH A G6/4" THREAD

Nickel plated electric heating rods

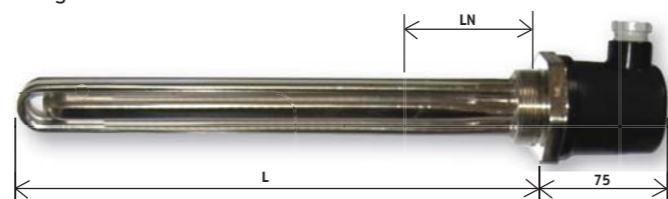
Electric heating rods are intended for heating of water for space heating in electric boilers, accumulation tanks with heating water, and for DHW heating in storage water heaters. They come nickel-plated and have a non-heating section offering trouble-free use in accumulation tanks and storage water heaters sold by Regulus. A special version with a longer non-heating section is designed for DUO E tanks.

These electric heating rods without a thermostatic head are fitted with neither adjustable nor safety thermostat.

Electric heating rods nickel-plated

	output	code	non-heating length LN [mm]	total length L [mm]	min. DHW tank size	min. accumulation tank size
3×230 V	2.0 kW	8935	100	245	RBC 200	PS 200 HSK 500
	3.0 kW	8936	100	305	RBC 200	PS 200 HSK 500
	4.5 kW	8937	100	370	RBC 200	PS 200 HSK 500
	6.0 kW	8938	100	495	RBC 200	PS 200 HSK 500
3×400 V	7.5 kW	8939	100	585	RBC 400	PS 300 HSK 500
	9.0 kW	8940	100	680	RBC 750	PS 500 HSK 800
	12.0 kW	8941	100	815	RBC 750	PS 800 HSK 800

- Brass head with G6/4" thread.
- The heating rods are nickel plated.
- The rods are suitable for heating of domestic hot water and heating water as well.
- The rods come without a power supply cable.



Electric heating rods, no surface finish

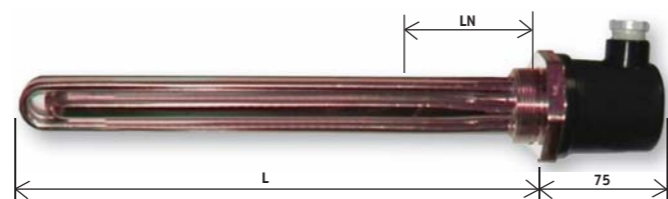
Electric heating rods with a longer non-heating section are designed for use in Regulus DUO E accumulation tanks with an immersed DHW tank.

The electric heating rods without a thermostatic head are fitted with neither adjustable nor safety thermostat.

Electric heating rods, no surface finish

	output	code	non-heating length LN [mm]	total length L [mm]	min. accumulation tank size
3×230 V	3.0 kW	8902	180	370	DUO E 600/150
	4.5 kW	8896	180	460	DUO E 600/150
	6.0 kW	8897	180	555	DUO E 600/150
3×400 V	7.5 kW	9618	180	635	DUO E 600/150

- Brass head with G6/4" thread.
- Copper rods, suitable primarily for DUO E tanks.
- The rods come without a power supply cable.



ELECTRIC HEATING RODS WITH G6/4" THREAD AND THERMOSTATIC HEAD

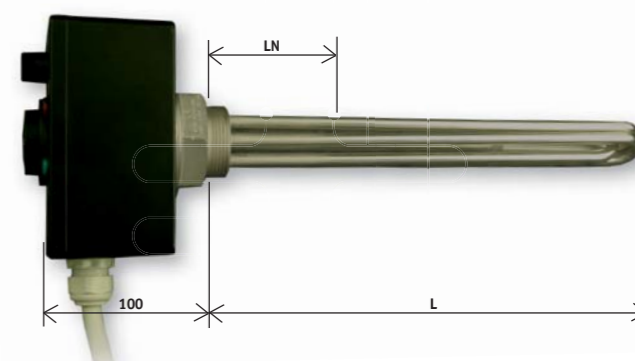
Electric heating rods with a thermostatic head are designed for water heating in accumulation tanks and for DHW heating in storage water heaters. These heating rods are nickel-plated and have a non-heating section offering troublefree operation in Regulus accumulation tanks and storage water heaters. These heating rods are not intended for use in DUO E accumulation tanks.

These heating rods with a thermostatic head are fitted with an adjustable thermostat permitting to set temperatures between 0 and 90°C. The lower switch-off value is limited to 15°C (switch-on ca 7°C) as an antifrost protection. Further they are fitted with a safety thermostat set to 99°C as an overheating protection in case the adjustable thermostat fails.

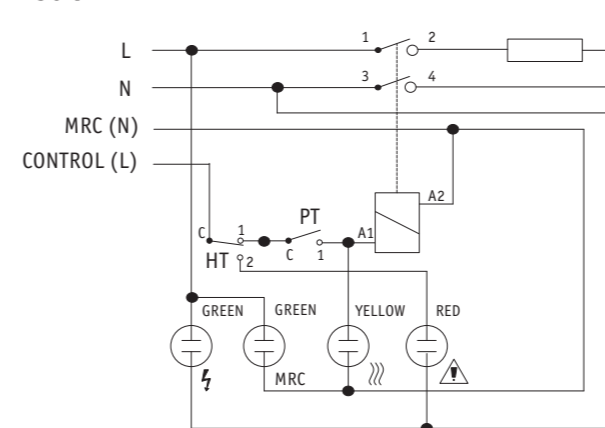
The electric heating rods with a thermostatic head are equipped with a contactor, and so they can be controlled through direct connection to working neutral switched by MRC. At the same time, the heating rods can be operated manually via an adjustable thermostat or by a remote controller. The rod's head is equipped with 4 LED lamps showing its state.

The heating rod shall be wired either to an electric box or a switchboard using the integrated supply cable. The cable length is 2m.

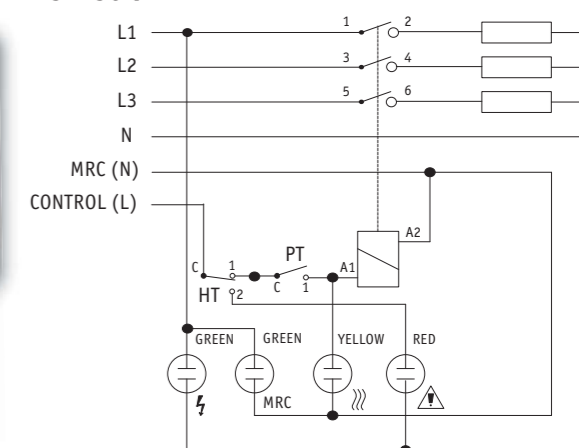
- Brass head with G6/4" thread.
- The heating rods are nickel plated.
- Heating elements are made either of copper with nickel-plated surface or of stainless steel.
- The rods are suitable for heating of domestic hot water and heating water as well.
- Adjustable thermostat 0 - 90 °C.
- A precise safety thermostat enables reliable cooperation with a solar system or a solid-fuel boiler.
- The rods can be wired directly to the mains - they are equipped with a contactor.
- They can be controlled by direct wiring to a neutral wire switched by MRC.
- Remote control possible by an external controller or by a room thermostat.
- Four LED lamps indicating the state of the heating rod.
- Reset pushbutton on the thermostat panel.



230 V



3×230 V



- The rods come wired with a 5-lead cable.
- The safety thermostat interrupts both conductors (line and working neutral).

- The rods come wired with a 7-lead cable.
- Either safety or adjustable thermostats disconnect all the poles using a relay.

Electric heating rods nickel-plated with a thermostatic head

	output	wiring cable	code	non-heating length LN [mm]	total length L [mm]	min. tank size	min. accumulation tank size
230 V	2.0 kW	5 lead	10267	100	315	RGC 120H	PS 200 HSK 500
	3.0 kW	5 lead	8933	100	350	RGC 120H	PS 200 HSK 500
3×230 V	2.0 kW	7 lead	8930	100	225	RGC 120H	PS 200 HSK 500
	3.0 kW	7 lead	8931	100	285	RGC 120H	PS 200 HSK 500
	4.5 kW	7 lead	8464	100	383	RGC 120H	PS 200 HSK 500
	6.0 kW	7 lead	11216	100	478	RBC 200	PS 200 HSK 500
3×400 V	7.5 kW	7 lead	11215	100	570	RBC 400	PS 300 HSK 500
	9.0 kW	7 lead	11214	100	665	RBC 750	PS 500 HSK 800

Electric stainless-steel heating rods with thermostatic head, for stainless-steel storage water heaters

	output	wiring cable	code	non-heating length LN [mm]	total length L [mm]	min. accumulation tank size
230 V	2.0 kW	5 lead	10116	100	470	NBC 200
	3.0 kW	5 lead	10117	100	350	NBC 200