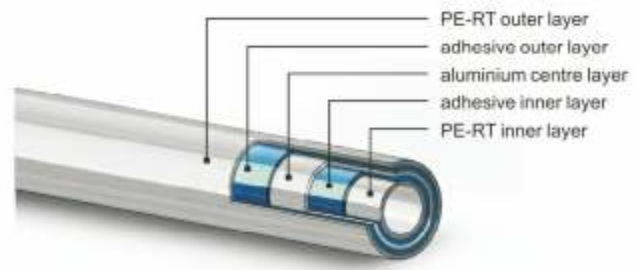


ABparts.co.uk
AshBurn Parts
01282 841500
hello@**Ab**parts.co.uk



Under Floor Heating Installers Trade Catalogue



PE-RT AL PE- RT Pipe



Flow Meters Manifolds Kits

ZL-1125



Product information

Product Features and Benefits

- Supplied pre-mounted on installation brackets
- Flow meters act as isolators and incorporate a modulating function, making set-up quick and easy
- Valves on return manifold accept a thermoelectric type head for remote control of each zone
- Quick reaction to supply temperature changes
- Connections are euroconous and a range of fittings are available to suit most UK pipe sizes

Technical data

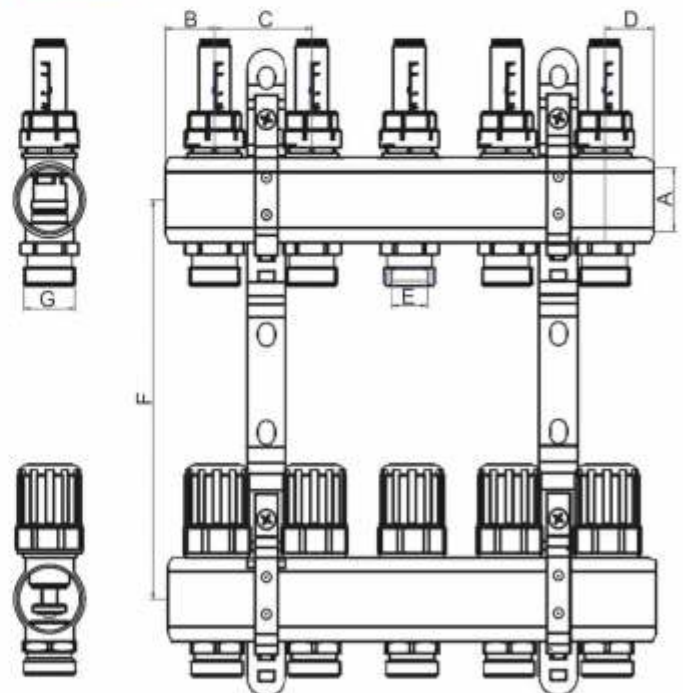
Usual working temperature	82°C
Maximum working pressure	10bar
Maximum working temperature	105°C
Maximum test pressure	10bar
Media	Water



Product Range

Product Code	Product	Size
ZL-112502	2 circuit UFH manifold kit	1"
ZL-112503	3 circuit UFH manifold kit	1"
ZL-112504	4 circuit UFH manifold kit	1"
ZL-112505	5 circuit UFH manifold kit	1"
ZL-112506	6 circuit UFH manifold kit	1"
ZL-112507	7 circuit UFH manifold kit	1"
ZL-112508	8 circuit UFH manifold kit	1"
ZL-112509	9 circuit UFH manifold kit	1"
ZL-112510	10 circuit UFH manifold kit	1"
ZL-112511	11 circuit UFH manifold kit	1"
ZL-112512	12 circuit UFH manifold kit	1"

Dimension



A	B	C	D	E	F	G
1"	28	50	28	18	210	3/4"
1 1/4"	28	50	28	18	210	3/4"



UFH Blending Valve

ZL-2318

Product information

High flow thermostatic blending valve for underfloor heating applications.

Product Features and Benefits

- High flow rates - suitable for systems up to 150sqm
- Superb temperature control
- Quick reaction to supply temperature changes
- User adjustable between 35°C to 65°C
- Compression type connections for ease of installation
- Lockable temperature adjustment mechanism

Description

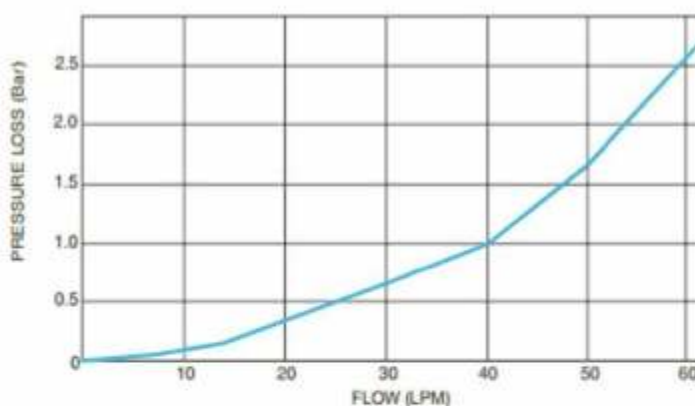
Thermostatic blending valve available with 22mm and 28mm connections. Suitable for blending the flow and return to achieve a stable system temperature in underfloor heating systems up to 150 square meters .



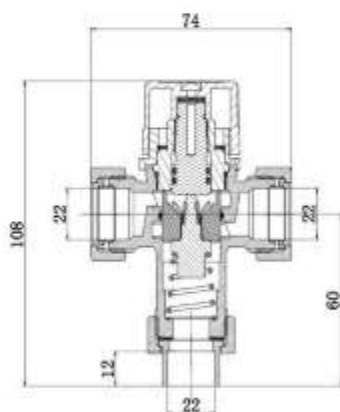
Technical data

Max working pressure	10bar
Temperature range	35°C-65°C
Thread	G1"

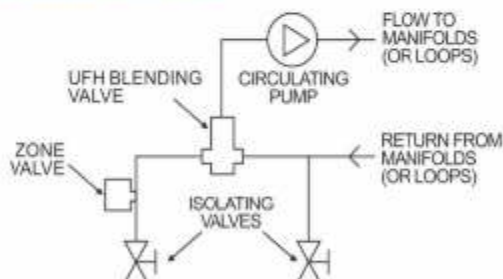
Performance



Dimension



Schematic diagram





Single Room UFH Control Pack

ZL-2532



Product information

UFH control pack for providing temperature controlled mixed water in single room applications to an underfloor heating system with a heat output up to 3kw.

Product Features and Benefits

- Compact bolt on unit providing quick and simple installation
- To provide controlled mixed temperature water to underfloor heating systems with a heat output up to 3kw
- Easy set up within the adjustable range of 40°C to 60°C
- Controls flow temperature to $\pm 3^\circ\text{C}$ even with changing boiler flow and return temperatures
- Fail-safe feature

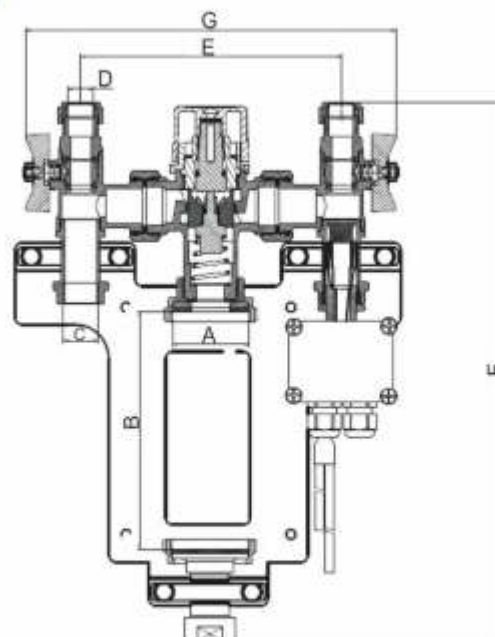
Description

A compact, modular control pack for underfloor heating systems up to 3kw. Designed to be lightweight and compact in order to connect directly onto pipework without the need for extra brackets or support. The control pack consists of a mixing valve, circulating pump, isolating valves, flow and return connections and fixing kit.

Technical data

Working range	40-60°C
Tolerance	$\pm 3^\circ\text{C}$
Material	brass
For heating area	$\leq 150\text{M}^2$

Dimension



A	B	C	D	E	F	G
1-1/2"	130	3/4"	15	155	311	220

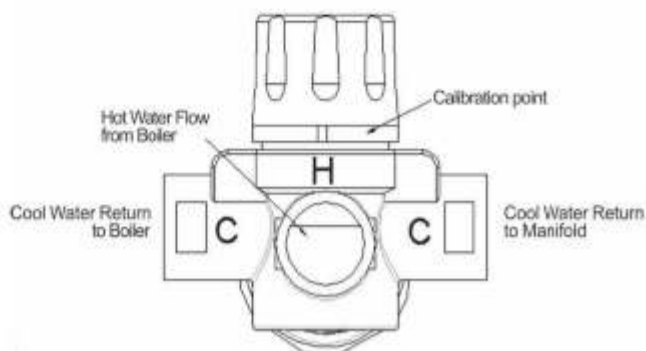
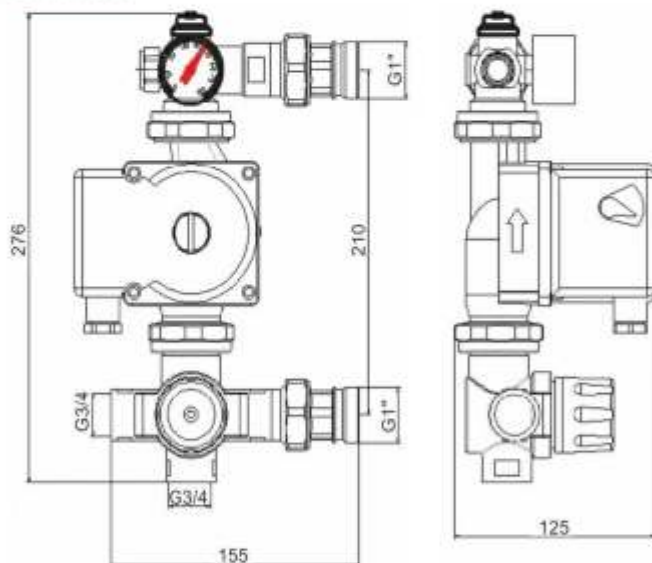


Pump Mixer Set

ZL-2536



Dimension



Product information

The valve works at lower temperatures than radiator systems, with temperatures between 35°C to 65°C depending upon the construction of the floor. The blending valve is the heart of the control system with hot water from the boiler mixed to supply water at the correct temperature back to the underfloor pipework. The supply temperature of the water can be adjusted to suit the construction of the floor.

The thermostatic controller is used with flow and return manifolds to control the flow temperature of water to the underfloor heating pipework.

Suitable for up to a 15kw heating load, this compact lightweight underfloor thermostatic mixing controller comes complete with a 6m head pump which has been designed for direct connection and is supplied fully assembled in left hand format with G1 male swivel flat seal unions as standard.

Its versatile design and union joint connections provides a simple and quick conversion on site to right hand format if required. Installing the controller to the manifold is simple and quick, requires no additional supporting brackets and so eliminates the need for time consuming drilling and fixing.

Mixing Control Adjustment

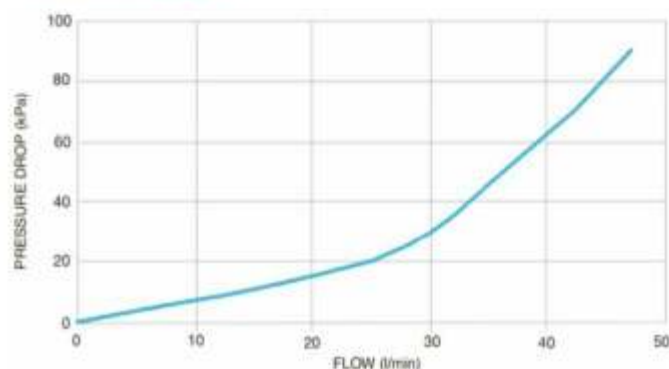
The thermostatic blending valve is factory set to provide water mixed at 45°C to the heating manifold.

The mixed water temperature can be adjusted to suit the design flow temperature within the range 35°C to 65°C.

With the boiler firing and the heating circuit balanced; the mixed water flow temperature can be easily adjusted by rotating the control knob of the blending valve as indicated, clock wise to increase the temperature and anticlockwise to reduce it.

To measure the mixed water temperature, use a suitable thermometer, preferably digital, to measure the surface temperature on the pump outlet elbow. Adjust the temperature as specified for the application and site conditions.

Pressure Drop Graph





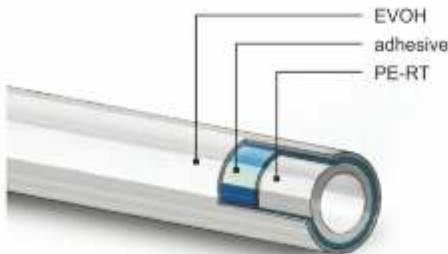
Pipe and Component

Product information

The Reliable PE-RT pipe is a 3 layers extrusion of polyethylene of raised temperature resistance. It is manufactured as follows, Oxygen barrier (EVOH)-Adhesive-PE-RT.

The oxygen diffusion barrier encases the inner layer of the PE-RT pipe completely, preventing the entry of oxygen into the heating system via the pipework. The tough outer layer is designed to withstand the rigours of surrounding workloads, ensuring that the oxygen barrier remains intact. This significantly reduces the risk of corrosion within the entire system.

This type of pipe is ideal in situations where there is an absolute guarantee that temperature above 70°C cannot be generated. This is a cost-competitive pipe and is ideal for all type of installations.



PE- RT Pipe



Technical Data-PERT Pipe:

General		Mechanical Properties	
Pipe range nominal dimensions	16mm OD 2mm wall thickness	Composition	EVOH PERT
Color	Natural	Bending radius	≥8D
Maximum temporary peak temperature	70°C	Oxygen permeability	≤0.32mg/(m·d)
Maximum operating pressure	6.bar	Thermal conductivity	0.40W/m·k
Construction 3layer	EVOH-adhesive-PE-RT	Standards	
		Manufacturing	ENISO 21003

• PE-RT Outer Layer:

PE-RT , protects the aluminum core from expansion as it can withstand high temperatures whilst maintaining its strength.

• Adhesive Layer:

This special high adhesion layer, is extensively tested. Permanently bonds the PE-RT layer with the aluminium core.

• Aluminum Layer:

Thin layer of aluminum which prevents oxygen leaking in to the pipe, therefore significantly reducing corrosion of metal components.

• Adhesive Layer:

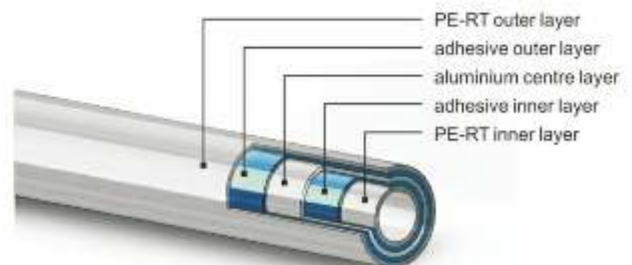
This special high adhesion layer, is extensively tested. Permanently bonds the PE-RT layer with the aluminum core.

• PE-RT Inner Layer:

Inner layer of clear, smooth PE-RT. Preventing pressure drops from water flow, and preventing deposit accumulation and corrosion.

Features:

- 1 Five layer composite pipe using PE-RT inner and outer layers with a 0.25mm thick edge-welded aluminium core.
- 2 Butt welded manufacturing method.
- 3 Can be formed by hand and maintains its shape – perfect for underfloor heating pipework.
- 4 High Temperature Resistance: the maximum sustained working temperature is up to 70 degree celsius, the maximum transient temperature is up to 85 degree celsius .



PE-RT AL PE- RT Pipe





Thermo-Electric Actuator

ZL-2033

Product information



Application

The thermal actuator is suitable to be mounted on all manifolds, thermostatic valve bodies and three-way valves. allows automatic shut-off the system fluid under the control of a room thermostat or of another electrical switching device.

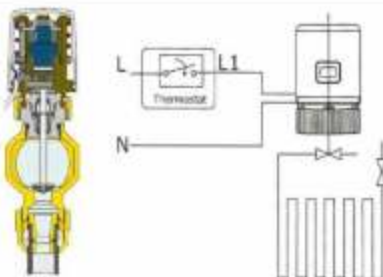
Function

Version normally closed (NC)

- When applying the operating voltage the expansion system of this actuator will be heated up. After passing the dead time a uniform opening procedure will follow.
- When the voltage supply will be cut off, this actuator will automatically close after passing the dead time due to cooling of the expansion system.

Note

In case of any functional test, please be aware of the dead time behaviour of this actuator and duly take this into consideration ! The opening and closing times will depend upon the ambient temperature.



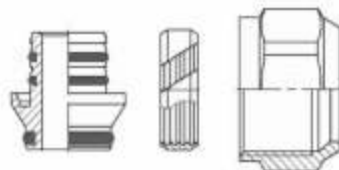
Technical Data

Operating voltage	230V/AC , 24V/DC (+10% / -15%)	Approvals	CE
Frequency	0 up to 60Hz	Type of protection	acc. To EN 60529
Power consumption	3 W (VA) in continuous operation	Connecting cable	standard type 1m fixed; 2*0.75 mm ²
Starting phase	90W (VA)	Ambient temperature	0C degree up to 50C degree during operation
Version	NC	Medium temperature	max. 100C degree
Closing and Opening times	approx. 3min	Storage temperature	-20 C degree up to + 70C degree
Overvoltage protection	Varistor		

Pipe Connector



ZL- 1039



Code	Size
ZL-10391216	12x1.6
ZL-10391220	12x2.0
ZL-10391520	15x2.0
ZL-10391615	16x1.5
ZL-10391620	16x2.0
ZL-10391720	17x2.0
ZL-10391820	18x2.0
ZL-10392020	20x2.0

Ball Valve



ZL- 4130



ZL- 4729



ZL- 4730



End Unit



ZL- 2816



ZL- 2841B



ZL- 2811



Under Floor Heating Installers Trade Catalogue

Call For Your Trade Prices

ABparts.co.uk

AshBurn Parts

01282 841500

hello@Abparts.co.uk



Can't see what you want? Call us